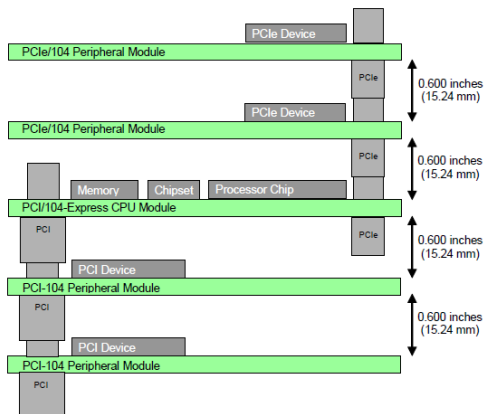
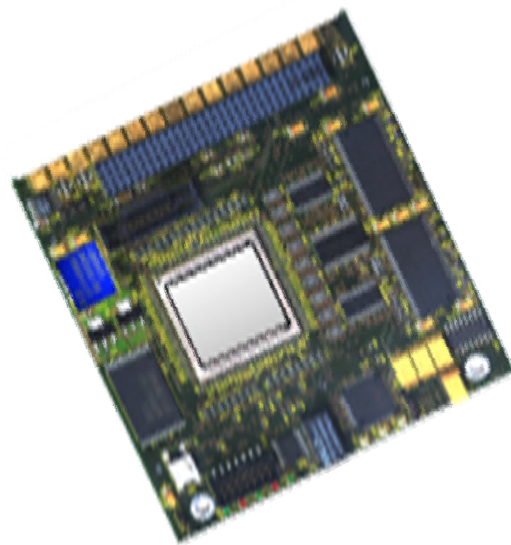


EPPC8572-1000-PCe104



MPC8572 PCI-Express Single Board System on Module

It is used as a modular component in PCI/104-Express Systems which combine and utilize single or multiple FPGAs, DSP processors, and data acquisition interfaces.



Main Features

- Freescale Dual CORE MPC8572 (> 1GHz) Ind.
- Up 4Gbyte of DDR 2/3 configured as 2 banks of DIMM @ 553MHz
- 1Gbit of NAND-FLASH memory for PowerPC code storage
- Four Ethernet 10/100/1000 Mbps
- One x4/x2/x1 PCE-Express Link (configurable on PowerON)
- Four RapidIO – 1.25-, 2.5-, and 3,125 Gbit
- One SATA I/II
- One CF Interface
- Two Serial Ports RS-232
- One External Watch Dog
- JTAG, CPU debug/ JTAG/trace ports
- Temperature monitoring
- Operation temperature@1GHz -40 to +85 C
- Power requirements: 5V ± 5%
- Passive Structural Heatsink & Heatpipes
- PCI/104e module form factor